



US007562656B2

(12) **United States Patent**  
**Galle et al.**

(10) **Patent No.:** **US 7,562,656 B2**  
(45) **Date of Patent:** **Jul. 21, 2009**

(54) **AEROSOL MEDICATION INHALATION SYSTEM**

(75) Inventors: **Thomas Galle**, München (DE); **Kevin Grant Gowanlock**, London (CA); **Robert Carlton Lynch**, Apex, NC (US)

(73) Assignee: **Hydrate, Inc.**, Midlothian, VA (US)

(\*) Notice: Subject to any disclaimer, the term of this patent is extended or adjusted under 35 U.S.C. 154(b) by 1030 days.

(21) Appl. No.: **10/943,542**

(22) Filed: **Sep. 17, 2004**

(65) **Prior Publication Data**

US 2005/0039741 A1 Feb. 24, 2005  
US 2006/0011196 A2 Jan. 19, 2006

**Related U.S. Application Data**

(63) Continuation of application No. 10/137,007, filed on May 2, 2002, now abandoned.

(51) **Int. Cl.**  
**A61M 11/00** (2006.01)

(52) **U.S. Cl.** ..... **128/200.14**; 128/200.22;  
128/200.17

(58) **Field of Classification Search** ..... 128/200.14,  
128/200.23, 200.22, 200.17  
See application file for complete search history.

(56) **References Cited**

**U.S. PATENT DOCUMENTS**

393,369 A 11/1888 Hawkins  
2,670,739 A 3/1954 McNeill  
3,236,458 A 2/1966 Ramis  
3,556,122 A 1/1971 Laerdal

3,643,686 A 2/1972 Koegel  
3,809,084 A 5/1974 Hansen  
3,809,294 A 5/1974 Torgenson  
3,838,686 A 10/1974 Szeckly  
3,897,779 A 8/1975 Hansen  
3,994,421 A 11/1976 Hansen  
4,174,712 A 11/1979 Moren et al.  
4,182,366 A 1/1980 Boehringer  
4,231,375 A 11/1980 Boehringer et al.  
4,267,832 A 5/1981 Hakkinen  
4,275,722 A 6/1981 Sorensen  
4,292,966 A 10/1981 Mono et al.  
4,298,023 A 11/1981 McGinnis  
4,344,573 A \* 8/1982 De Felice ..... 239/320  
4,470,412 A 9/1984 Nowacki et al.  
4,496,086 A 1/1985 Duchadeau

(Continued)

**FOREIGN PATENT DOCUMENTS**

EP 0 009 667 4/1980

(Continued)

**OTHER PUBLICATIONS**

"AARC Clinical Practice Guideline: Use of Positive Airway Pressure Adjuncts to Bronchial Hygiene Therapy." *Respiratory Care*. vol. 38, No. 5. May 1993. pp. 516-520.

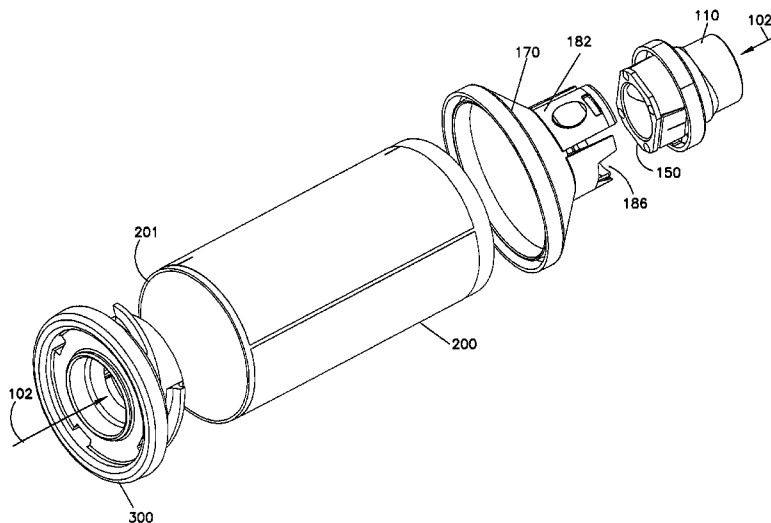
(Continued)

*Primary Examiner*—Steven O Douglas  
(74) *Attorney, Agent, or Firm*—Merchant & Gould P.C.

(57) **ABSTRACT**

An apparatus for use in conjunction with a metered dose inhaler which includes a novel valve system to aid in the delivery of aerosolized medicament to a subject. The apparatus also includes a novel rotational flow generator to aid in the useable delivery of said medication and avoid its loss either in the apparatus or by non-useful delivery to said subject.

**51 Claims, 6 Drawing Sheets**



U.S. PATENT DOCUMENTS			FOREIGN PATENT DOCUMENTS		
4,509,515 A	4/1985	Altounyan et al.	6,039,042 A	3/2000	Sladek
4,635,631 A	1/1987	Izumi	6,044,841 A	4/2000	Verdun et al.
4,637,528 A	1/1987	Wachinski et al.	6,085,741 A	7/2000	Becker
4,641,644 A	2/1987	Andersson et al.	6,089,105 A	7/2000	Ricciardelli
4,646,644 A	3/1987	Richmond et al.	6,106,479 A	8/2000	Wunderlich et al.
4,770,413 A	9/1988	Green	6,123,075 A	9/2000	Kirk
4,796,614 A	1/1989	Nowacki et al.	6,138,673 A	10/2000	Shepherd
4,846,168 A	7/1989	Abiko et al.	6,176,237 B1	1/2001	Wunderlich et al.
4,852,561 A	8/1989	Sperry	6,228,346 B1	5/2001	Zhang et al.
4,907,583 A	3/1990	Wetterlin et al.	6,240,917 B1	6/2001	Andrade
4,940,051 A	7/1990	Lankinen	6,257,231 B1 *	7/2001	Shick et al. .... 128/200.14
4,981,295 A	1/1991	Belman et al.	6,293,279 B1	9/2001	Schmidt et al.
5,012,803 A	5/1991	Foley et al.	6,345,617 B1	2/2002	Engelbreth et al.
5,012,804 A	5/1991	Foley et al.	6,367,471 B1	4/2002	Genosar et al.
5,033,463 A	7/1991	Cocozza	6,412,481 B1	7/2002	Bienvenu et al.
5,040,527 A	8/1991	Larson et al.	6,435,177 B1	8/2002	Schmidt et al.
5,042,467 A *	8/1991	Foley ..... 128/200.23	6,464,388 B2	10/2002	Ligouzat
5,048,729 A	9/1991	Pritchard	6,481,438 B1	11/2002	Gallem et al.
5,109,840 A	5/1992	Daleiden	6,513,519 B2	2/2003	Gallem
5,178,138 A	1/1993	Walstrom et al.	6,513,727 B1	2/2003	Jaser et al.
5,193,529 A	3/1993	Labaere	6,514,177 B1	2/2003	Brugger et al.
5,241,954 A	9/1993	Glenn	6,557,549 B2	5/2003	Schmidt et al.
5,250,287 A	10/1993	Cocozza	6,606,990 B2	8/2003	Stapleton et al.
5,280,784 A	1/1994	Kohler	D483,860 S	12/2003	Knoch
5,297,543 A	3/1994	Larson et al.	6,679,251 B1	1/2004	Gallem et al.
5,309,900 A	5/1994	Knoch et al.	6,679,252 B2 *	1/2004	Sladek ..... 128/200.23
5,312,049 A	5/1994	Knoch et al.	6,848,443 B2	2/2005	Schmidt et al.
5,357,951 A	10/1994	Ratner	6,962,151 B1	11/2005	Knoch et al.
5,385,140 A *	1/1995	Smith ..... 128/200.23	6,983,747 B2	1/2006	Gallem et al.
5,427,089 A	6/1995	Kraemer	7,059,320 B2	6/2006	Feiner et al.
5,456,249 A	10/1995	Kirk	7,077,126 B2	7/2006	Kummer et al.
5,458,136 A	10/1995	Jaser et al.	7,131,440 B2	11/2006	Sonntag
5,461,695 A	10/1995	Knoch	2001/0013341 A1	8/2001	Gallem
5,477,849 A	12/1995	Fry	2001/0054421 A1	12/2001	Jaser et al.
5,479,920 A	1/1996	Piper et al.	2002/0005196 A1	1/2002	Brugger
5,497,765 A	3/1996	Praud et al.	2002/0056448 A1	5/2002	Stapleton et al.
5,497,872 A	3/1996	Pennino	2003/0037785 A1	2/2003	Sonntag
5,501,214 A	3/1996	Sabo	2003/0037788 A1	2/2003	Gallem et al.
5,505,194 A	4/1996	Adjei et al.	2004/0089295 A1	5/2004	Gallem et al.
5,549,102 A	8/1996	Lintl et al.	2004/0094148 A1	5/2004	Lulla et al.
5,562,093 A	10/1996	Gerson	2004/0250816 A1	12/2004	Kummer et al.
5,575,282 A	11/1996	Knoch et al.	2005/0056274 A1	3/2005	Kunschir
5,596,982 A	1/1997	Blaha-Schnabel	2005/0224076 A1	10/2005	Pfichner et al.
5,598,839 A	2/1997	Niles et al.	2005/0244339 A1	11/2005	Jauernig et al.
5,617,844 A	4/1997	King	2006/0048772 A1	3/2006	Borgschulthe
5,629,032 A	5/1997	Pennino	2006/0054166 A1	3/2006	Knoch et al.
5,645,049 A	7/1997	Foley et al.	2006/0057073 A1	3/2006	Lintz et al.
5,647,345 A	7/1997	Saul	2006/0065267 A1	3/2006	Tran et al.
5,657,853 A	8/1997	Pennino	2006/0102172 A1	5/2006	Feiner et al.
5,658,221 A	8/1997	Hougen	2006/0102178 A1	5/2006	Feiner et al.
5,676,130 A	10/1997	Gupte et al.	2006/0162723 A1	7/2006	Selzer et al.
5,724,959 A	3/1998	McAughey et al.	2006/0207591 A1	9/2006	Gallem et al.
5,724,962 A	3/1998	Vidgren et al.	2006/0213503 A1	9/2006	Borgschulthe et al.
5,738,087 A	4/1998	King	2006/0254578 A1	11/2006	Boehm et al.
5,740,966 A	4/1998	Blaha-Schnabel	2006/0289002 A1	12/2006	Hetzer et al.
5,755,221 A	5/1998	Bisgaard			
5,765,553 A	6/1998	Richards	EP	0 015 247	9/1980
5,775,320 A	7/1998	Patton et al.	EP	0 134 847	3/1985
5,816,240 A	10/1998	Komesaroff	EP	0 289 563	11/1988
5,840,279 A	11/1998	Narodylo et al.	EP	0 347 779	12/1989
5,848,588 A *	12/1998	Foley et al. .... 128/200.23	EP	0 372 148	6/1990
5,881,718 A	3/1999	Mortensen et al.	EP	0 475 257	3/1992
5,890,998 A	4/1999	Hougen	EP	0 514 085	11/1992
5,896,857 A	4/1999	Hely et al.	EP	0 678 306	10/1995
5,899,832 A	5/1999	Hougen	EP	0 820 780	1/1998
5,925,831 A	7/1999	Storsved	EP	0 938 908	9/1999
5,957,389 A	9/1999	Wunderlich et al.	EP	1 358 901 A3	12/2003
6,000,394 A	12/1999	Blaha-Schnabel et al.	GB	975754	11/1964
6,026,807 A	2/2000	Puderbaugh et al.	GB	2 000 555	1/1979
6,026,808 A	2/2000	Armer et al.	GB	1017032	1/1996
6,026,809 A *	2/2000	Abrams et al. .... 128/203.15	GB	2 299 512	10/1996

JP	55-40595	3/1980
JP	0 548 152	6/1993
WO	WO 91/00117	1/1991
WO	WO 92/20391	11/1992
WO	WO 96/32149	10/1996
WO	WO 97/01365	1/1997
WO	WO 98/26827	6/1998
WO	WO 99/16490	4/1999
WO	WO 00/27455	5/2000
WO	WO 00/59565	10/2000
WO	WO 01/76671	10/2001

## OTHER PUBLICATIONS

Christensen et al. "Treatment of Bronchial Asthma with Terbutaline Inhaled by Conespacor Combined with Positive Expiratory Pressure Mask." *Chest* 100, vol. 2, Aug. 1991, pp. 317-321.

Hickey et al. "Inhalation Aerosols: Physical and Biological Basis for Therapy." *Marcel Dekker, Inc.* pp. 418-435.

Anderson et al. "A new Mode of Administration Nebulized Bronchodilator in Severe Bronchospasm." *Eur. J. Respir. Dis. Suppl.* 119, vol. 63, 1982, pp. 97-100.

Rau et al. "Combining a Positive Expiratory Pressure Device with a Metered-Dose Inhaler Reservoir System Using Chlorofluorocarbon Albuterol and Hydrofluoroalkane Albuterol: Effect on Doses and Particle Size Distributions." *Respiratory Care*, vol. 45, No. 3, 2000, pp. 320-326.

Rau. *Respiratory Care Pharmacology* 4<sup>th</sup> Edition. 1994. Mosby, pp. 256-261.

Meeran et al. "Oral and Inhaled Corticosteroids Reduce Bone Formation as Shown by Plasma Osteocalcin Levels." *Am. J. Respir. Crit. Care. Med.* vol. 151, 1995, pp. 333-336.

Merriam-Webster's Collegiate Dictionary, Tenth Ed. ISBN 0-87779-707-2. 1993, p. 86.

Mahlmeister et al. "Positive-Expiratory-Pressure Mask Therapy: Theoretical and Practical Considerations and a Review of the Literature." *Respiratory Care*, vol. 36, No. 11, 1991, pp. 1218-1229.

Newman. "Aerosol Deposition Considerations in Inhalation Therapy." *Chest*, vol. 8, No. 2, 1985, pp. 152-160.

Contents. "Technology Showcase: Adjuncts to Bronchial Hygiene Therapy." *AARC Times*, 1998, pp. 12-14.

Ventlab Corporation. "Ventlab BreatheRite." <http://www.ventlab.com/mdi.htm>. 2000.

Pamphlet for "PARI PEP System. Part No. 18F61." 2001, pp. 1-4.

Pamphlet for "TheraPEP: Positive Expiratory Pressure Therapy System." No. 20-112, 2001, pp. 1-5.

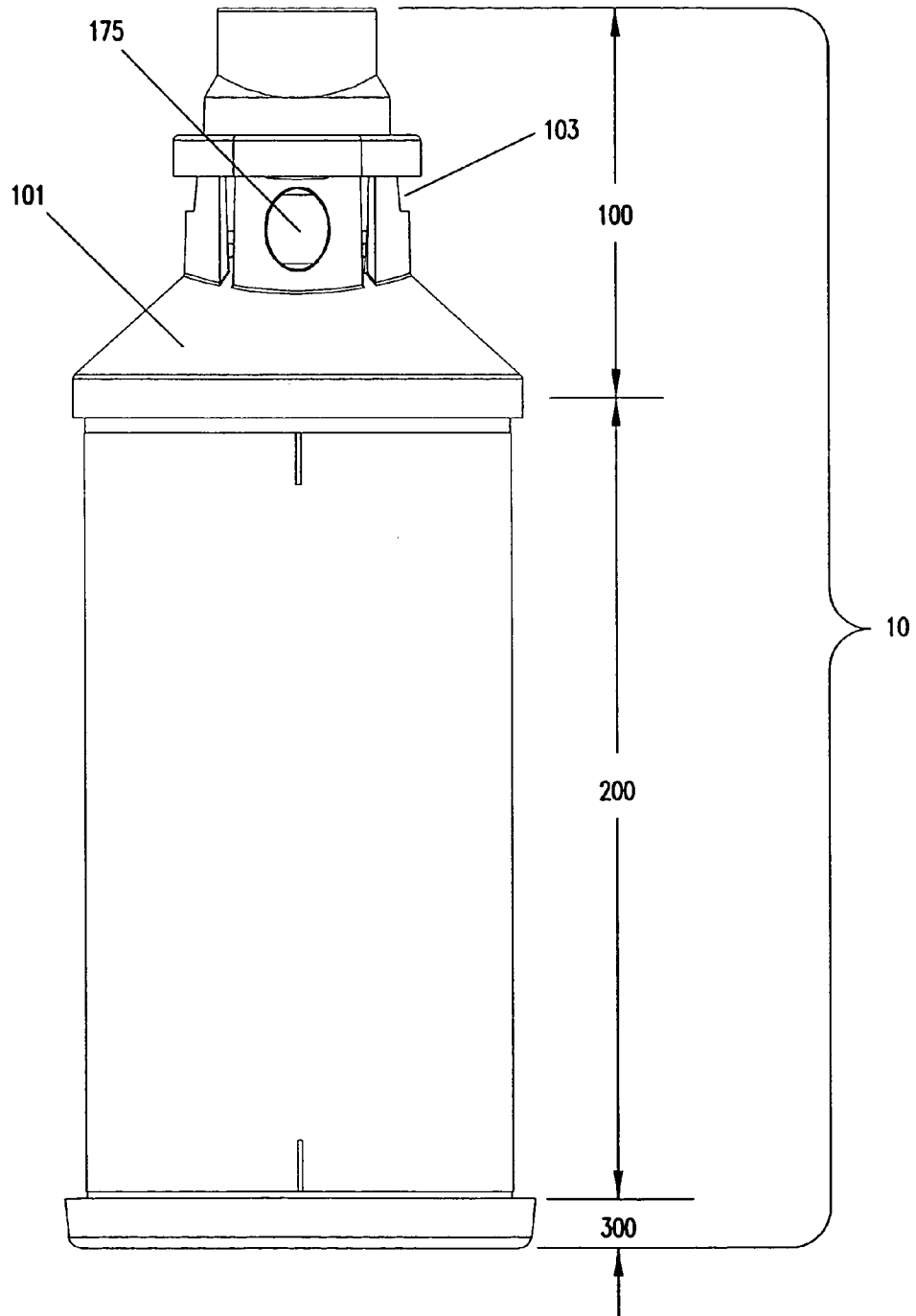
photographs for Ventlab BreatheRite holding chamber. 3 pages.

Callahan. "K981944-BreatheRite." Letter from Dept. of Health & Human Services with enclosures. 1998, pp. 1-3.

Office Action mailed Mar. 5, 2009 for U.S. Appl. No. 11/655,039 - Schmidt.

\* cited by examiner

FIG. 1



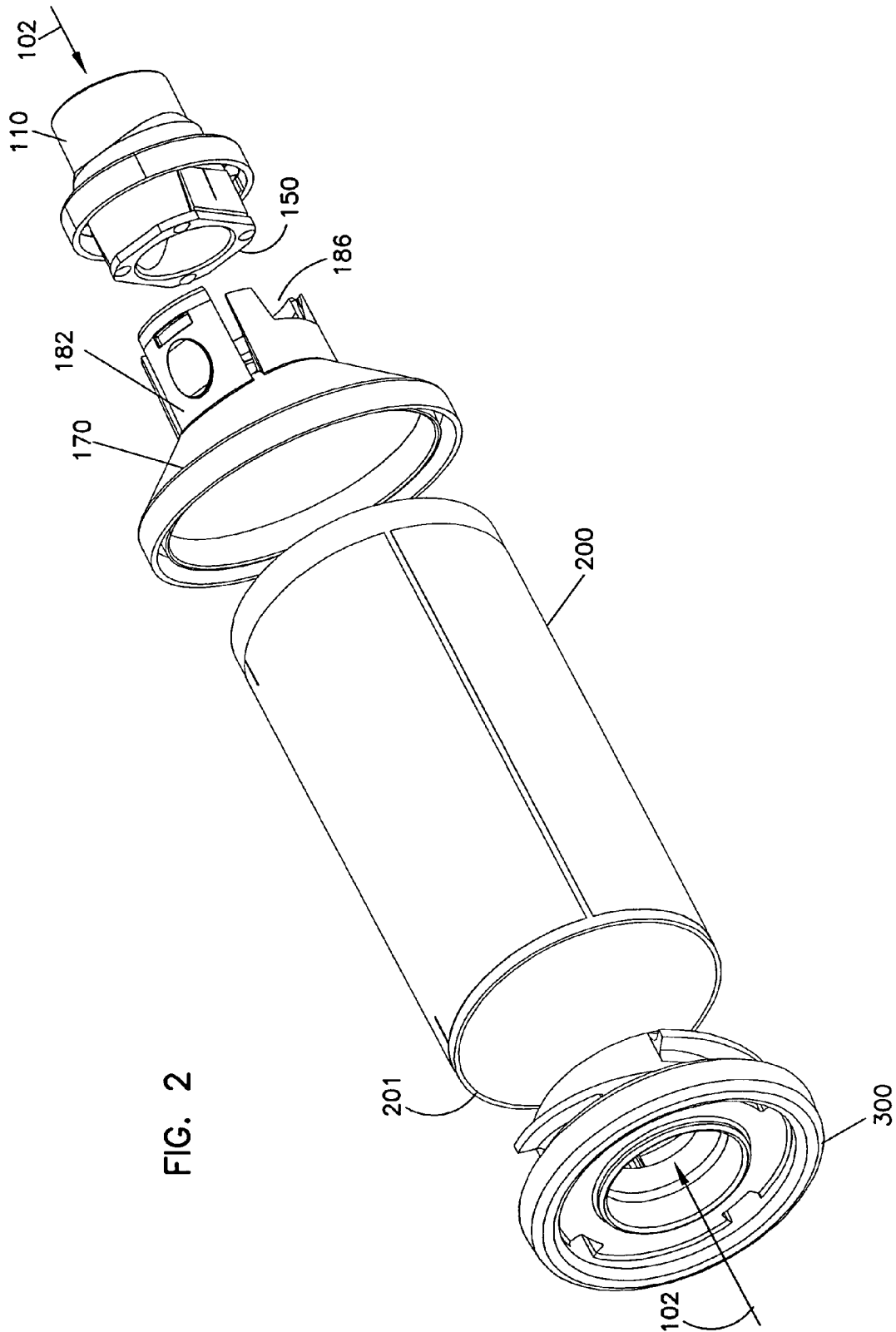


FIG. 2

FIG. 3

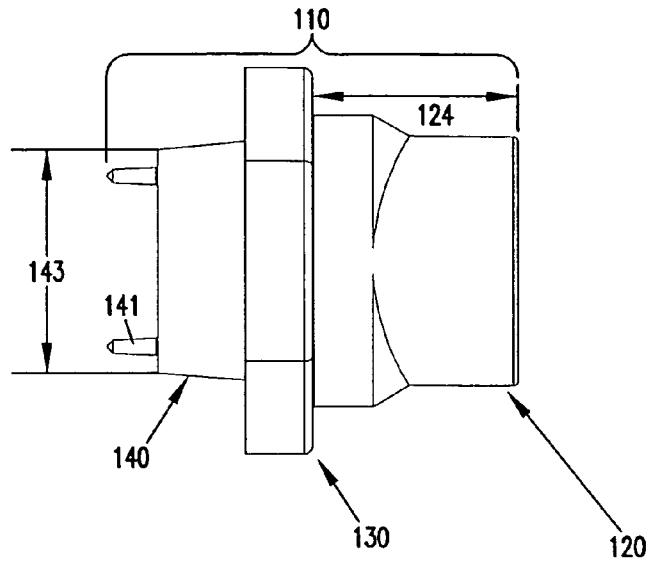


FIG. 4

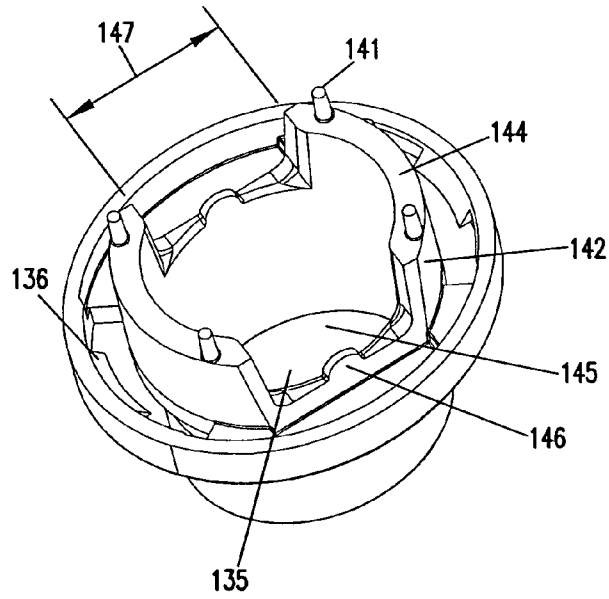


FIG. 6

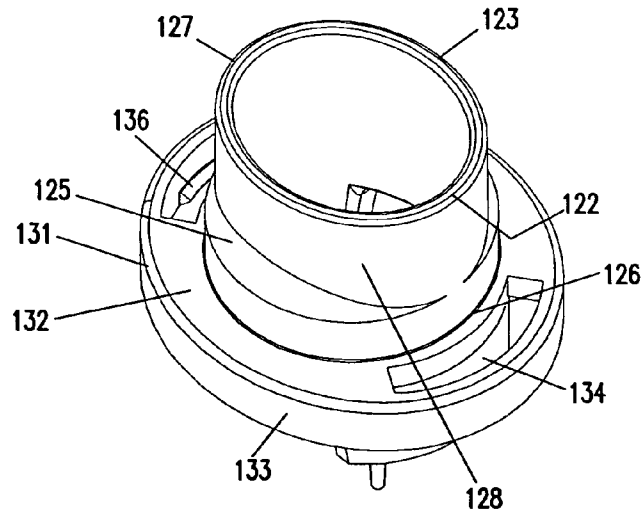


FIG. 5A

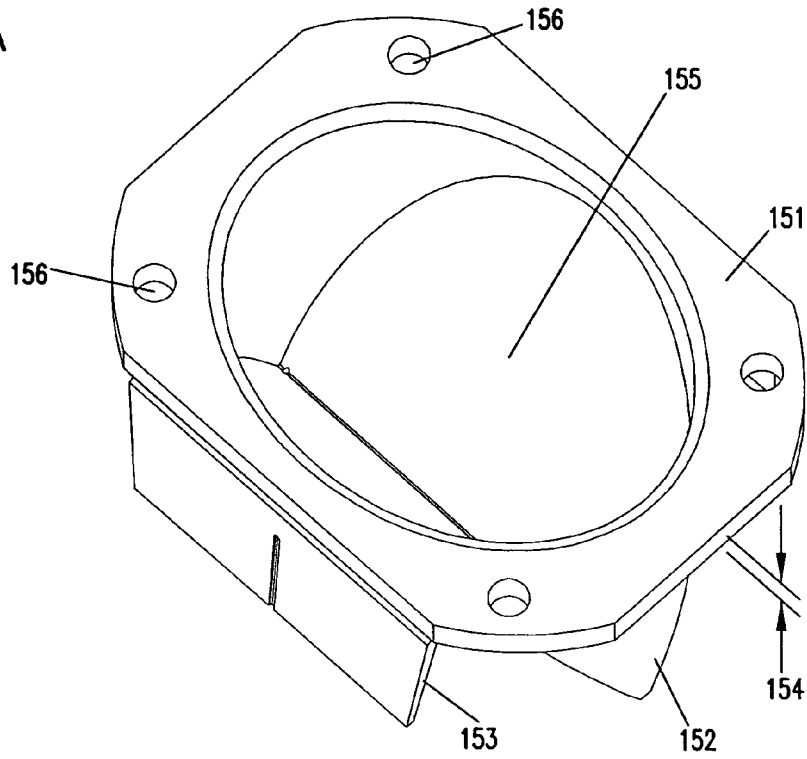
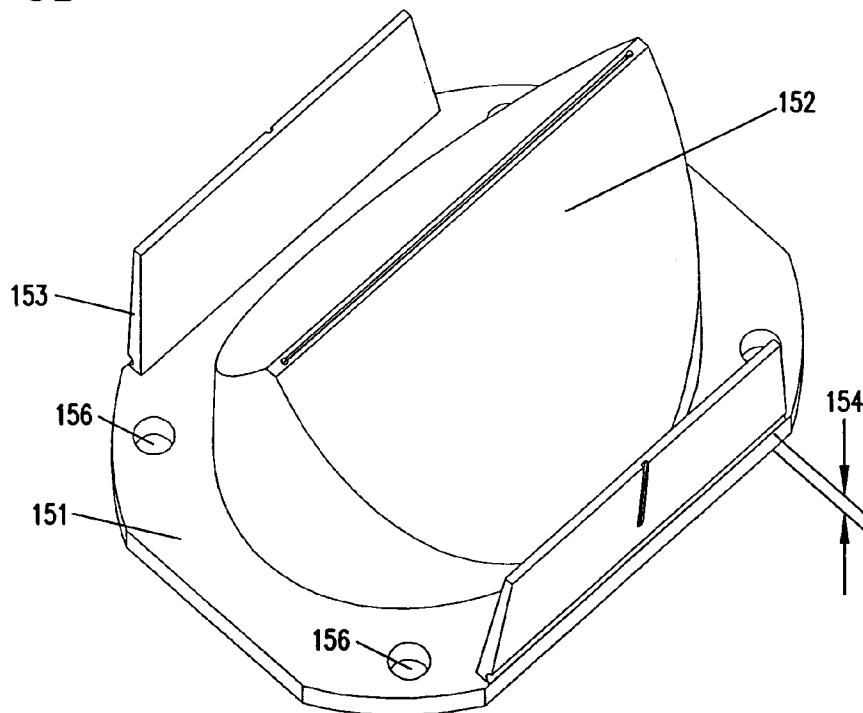


FIG. 5B



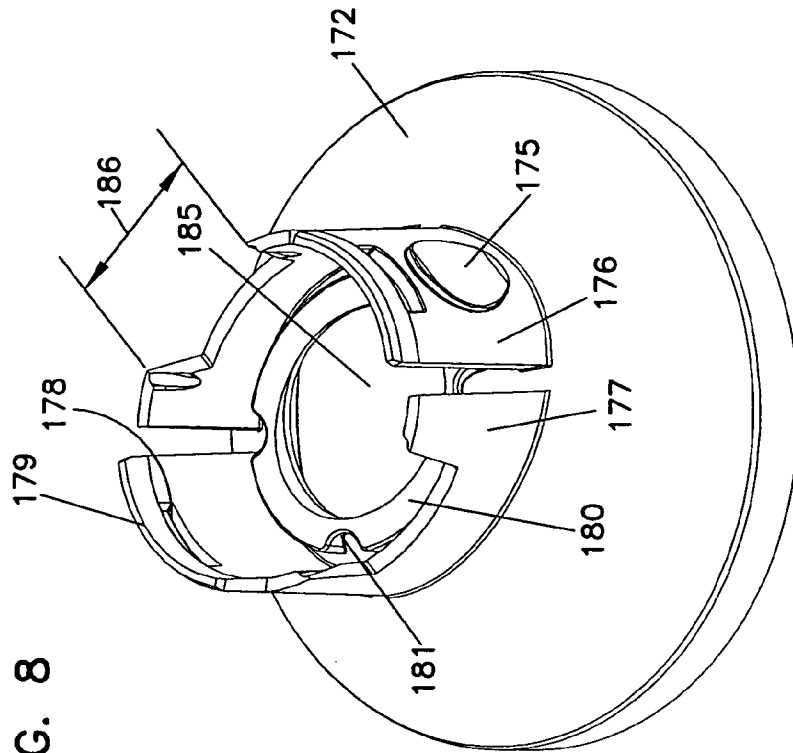


FIG. 8

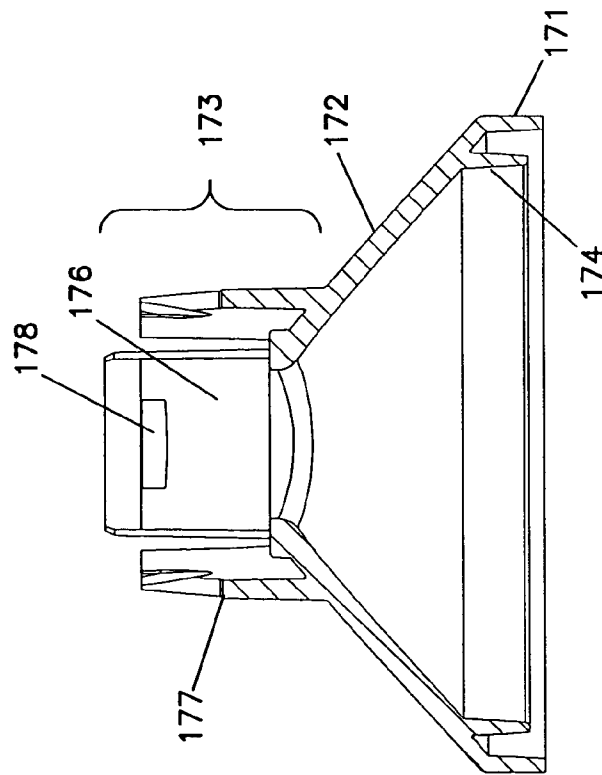


FIG. 7



FIG. 9b

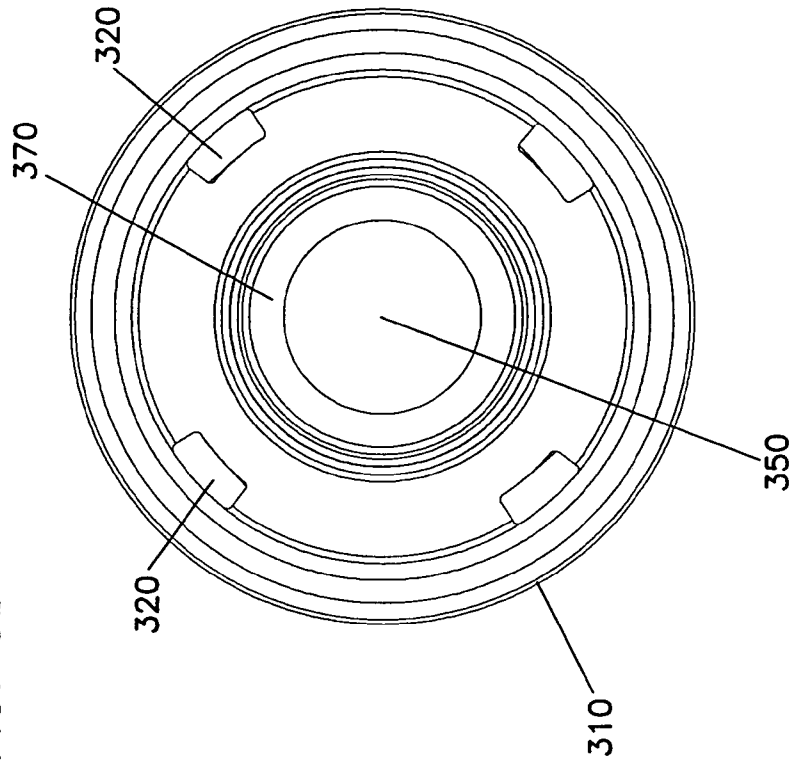
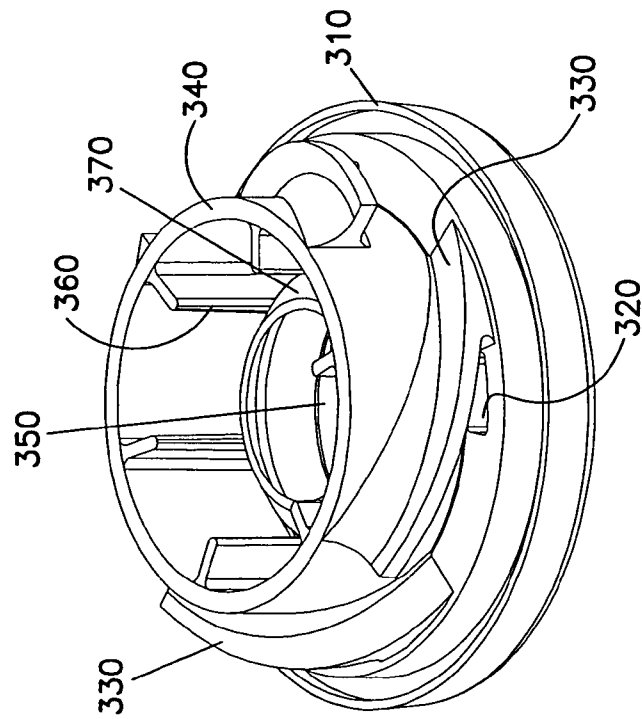


FIG. 9a



1

## AEROSOL MEDICATION INHALATION SYSTEM

This application is a continuation of U.S. patent application Ser. No. 10/137,007 filed May 2, 2002, now abandoned.

### BACKGROUND

The present invention is directed to apparatus for delivering aerosol medicament to a subject in need of the medicament. Delivery systems start with an aerosol-generating device. One common example of such devices is a pressurized metered dose inhaler (MDI). MDIs use pressurized gases to disperse medicament as tiny particles or droplets for delivery to the subject. By depressing the MDI, a known quantity of gas, and thereby of medicament, is ejected from the MDI. MDIs have been used with various types of diverse apparatus, in attempts to improve the delivery of this known quantity of medicament to the subject. Some problems associated with the delivery of medicament in an aerosol form include, but are not limited to, wastage of medicament in the delivery apparatus, delivery at too high speeds so that medicament sticks to the back of the subject's throat or is inhaled into the subject's sinuses rather than being received into the lungs, ejection of medicament out of the apparatus towards a subject without inhalation thereby, and ejection of medicament from the MDI upon exhalation by the subject into the apparatus prior to inhalation.

### SUMMARY OF THE INVENTION

In one aspect, the present invention provides a mouthpiece with a valve for controlling the delivery of aerosolized medicament to a subject. The mouthpiece includes a housing that defines a passage through which the medicament flows to the subject. The housing has a one-piece valve system that permits passage of medicament aerosol to the subject during inhalation, but does not permit the passage of the subject's breath in the upstream direction during exhalation, with the exhaled breath being expelled through an opening in the sidewall of the housing.

Another aspect of the present invention combines this mouthpiece and valve system with a holding chamber, which is disposed between the mouthpiece and the source of aerosol. In a further feature of this aspect of the invention, the interior of the holding chamber has anti-electrostatic properties to reduce the amount of medicament adhering to the walls of the holding chamber and thereby increase the delivery efficiency of the system.

In a further aspect of the present invention, a holding chamber is provided with a receptacle member adapted to accept a source of aerosol medicament. The receptacle member may aid in the efficient delivery of medicament to the subject, for example by being vented to allow outside air to be mixed with the medicament aerosol in the holding chamber. In addition, if a rotation is imparted to the outside air brought into the holding chamber, the adhesion of medicament to the walls of the holding chamber can be reduced and the effort necessary to inhale through an apparatus of this type may be reduced.

### BRIEF DESCRIPTION OF THE DRAWINGS

FIG. 1 is an assembled view of an example of the aerosol medicament delivery apparatus of the present invention.

FIG. 2 is a perspective exploded view of the apparatus.

FIG. 3 is a side view of the delivery member used in the apparatus.

2

FIG. 4 is a bottom perspective view of the delivery member. FIGS. 5a and 5b are top and bottom views of the valve element used in the apparatus.

FIG. 6 is a top perspective view of the delivery member.

FIG. 7 is a sectional side view of the adaptor member used in the apparatus.

FIG. 8 is a top perspective view of the adaptor member.

FIGS 9a and 9b are top and bottom views of the receptacle member used in the apparatus.

### DETAILED DESCRIPTION

Referring to FIGS. 1 and 2, the aerosol medicament delivery apparatus 10 of the present invention is composed of a holding chamber 200 with first and second ends. At the first end of the holding chamber is a receptacle 300 for connection to a source of aerosol medication. For the purposes of the present invention, aerosol medicament or aerosol medication is intended to include finely divided solid or liquid materials that are carried by a gas for delivery to a subject's respiratory tract, especially to the lungs. This includes nebulized materials. The medicament and carrier gas aerosol composition can be prepared prior to use if it exhibits sufficient physical and chemical stability, or it can be prepared in situ from sources of solid or liquid medicament materials (either in pure form or combined with a suitable solid or liquid solvent, excipient or diluent) and pressurized gas.

At the second end is a mouthpiece member 100 for delivering aerosol medicament to a subject through a valve 150. The mouthpiece member includes a housing 101 that defines a passage 102 through which aerosol medicament can be supplied to a subject and has an opening 103 that opens to the outside of the housing. The valve, discussed below, is of one-piece construction. During inhalation the valve permits the flow of aerosol medicament from the holding chamber to the subject, while blocking the inflow of outside air to the passage 102 through the sidewall of the housing of the mouthpiece member. During exhalation, the valve blocks the flow of exhaled air upstream in the direction of the holding chamber, and permits the exhaled air to be exhausted through the sidewall of the housing.

In an exemplary embodiment, the housing 101 is composed of a delivery member 110 and an adaptor member 170. The opening 103 may be defined, as it is in part in the exemplary embodiment, by a notch 186 in the adaptor member. The delivery member and adaptor member may be releasably connected by a quick release mechanism 182. In the exemplary embodiment, the quick release mechanism is a flexible wall, upon which a positioning element 175 may be located. Also, in the exemplary embodiment, the housing is transparent. This has the advantage that it allows for the subject to visually verify the operation of the valve, to ensure opening and closing during treatment.

Referring to FIG. 3, the delivery member 110 may include a subject side section 120, a connecting ring 130, and an adaptor side section 140. In the exemplary embodiment, the subject side section of the delivery member of the mouthpiece is sized and shaped to fit a human mouth, e.g. having an oval shape. The subject end section is defined by a housing composed of a sidewall having a height 124, and upon which may be provided at least one ridge 125. Positioning pins 141 may be provided on the adaptor side section of the delivery member.

Referring to FIG. 4, the adaptor side section 140 of the delivery member 110 in this exemplary embodiment has walls 142 arranged around an opening 145. One or more openings, for example the illustrated notches 147, is formed

in the wall **142** and can define an exhaust opening from the delivery member for exhaled air. This opening is closed by the valve during inhalation, and the opening may be provided with an element to assist in seating a valve member, for example protrusion **146**. The end face **144** of the wall can be used as a surface for holding the valve in place when the apparatus is assembled, in cooperation with an opposed surface on the adaptor member. Also, in this embodiment, the four positioning pins **141** extend from the end face of the wall **142**.

Referring to FIGS. **5a** and **5b**, the one-piece two-way valve system **150** allows for inhalation and exhalation with a single valve. The valve has a base **151**, a first valve element **152**, which has a duck-bill shape in this embodiment, and a second valve element **153**, which is shaped like a hinged flap **153** in this embodiment. In the exemplary embodiment, the valve is composed of a flexible material and there are two hinged flaps **153**. The two valve elements may be joined at or carried on a common base **151**. The base has a thickness **154** that is less than the height of the positioning pins of the mouthpiece, so that the pins may pass therethrough. There is an opening **155** in the base, which may be defined as the perimeter of contact between the duck-bill and the base. The exemplary embodiment has four positioning holes **156** placed near the perimeter of the base, each being sized to admit the matching positioning pins. Thus, when the apparatus is assembled, the positioning pins of the mouthpiece penetrate the positioning holes of the valve base and the valve base forms a substantially airtight seal between the delivery member and the adaptor member.

The duck-bill is a shape predominantly that of a wedge with a very narrow split across the apex of the wedge. The split is narrow enough that the two edges forming the ends of the duck-bill are substantially in contact when there is no external pressure on the duck-bill. The duck-bill has a span, a height, and a thickness. The height of the duck-bill is the vertical distance between the apex of the wedge where the split is located and the base. The span is the distance of the split across the thin edge of the wedge and the height. The span is sufficiently narrow that the apex of the duck bill will fit within the delivery member without contacting it. Thus, the dead zone within the delivery member is minimized by the valve extending therein. The valve may be as wide as possible to provide for easier inhalation, but just narrower than the passage so that the duck-bill sides do not receive pressure and the lips of the duck-bill are not parted except by inhalation.

Dead space refers to the volume of the apparatus containing air which is rebreathed. Dead space is inherent in any valve-based system enclosed within a mouthpiece or mask; it is the space between the mouth of a subject and the valve. Any subject has a limited volume of air that may be inhaled, and which then is exhaled. This is the subject's tidal volume. The inhalation air will contain both oxygen and medicament. The exhalation air will contain carbon dioxide. In a sealed system, all inhalation air will come through the valve and will contain a preferable mixture of medicament laden air. However, this inhalation air will be combined with whatever gases remain sealed within the dead space on their way to being actually inhaled into the subject's respiratory tract. Similarly, when the subject exhales, all air must pass through this dead zone on the way out the exhaust portion of the valve system.

Because the subject will be incapable of forcing a complete vacuum within this sealed system, the dead space will contain gases that then will be re-inhaled during the next breathing cycle. Given that the volume of the subject's lungs is fixed, the larger the volume of the system's dead space, the smaller the volume of medicament laden air the subject will receive with each breathing cycle. Thus, the larger the volume of dead

space, the less efficient the system because increasing dead space causes a buildup of carbon dioxide and rebreathing. Rebreathing carbon dioxide can have an adverse effect on breathing rates and patterns, especially for small children who have very small tidal volumes. Duck-bill valves are more efficient than diaphragm valves because the volume encompassed by the duck-bill is subtracted from space that otherwise would be dead space in a diaphragm-based system.

The duck-bill is thin enough that the sides of the wedge will flex when the atmospheric pressure on the opposite side of the base from the duck-bill is greater than that above the duck-bill. This causes the edges of the duck-bill to part, letting air flow through the duck-bill in the direction from the base to mouthpiece. Thus, in the present embodiment, air is permitted to flow through the mouthpiece to a subject during inhalation. The duck-bill closes automatically at the end of inhalation when the atmospheric pressure differential is removed. Thus, the flow of exhaled air upstream of the valve to the holding chamber is prevented during exhalation.

The exemplary embodiment of the present invention provides two hinged flaps **153** extending from on or near the perimeter of the base. Each hinged flap **153** is sized so as to be able to cover a corresponding notch **147** when assembled. Each flap is placed on the base at such a position and at such an angle that when the base is placed onto the positioning pins of the mouthpiece, the flap covers one of the notches **147**. The flap is hinged on the base so that it may cover the notch **147** during inhalation, thereby preventing the flow of outside air into the interior of the housing through the opening in the sidewall of the housing. When the mouthpiece of the apparatus of the exemplary embodiment is assembled, the notch of the delivery member **147** and the aforementioned notch of the adaptor member **186** may be aligned radially, and the hinged outgas flap **153** is disposed between these notches. The flexible material forming each of the outgas flaps is sufficiently thin to allow an outgas flap to flex through at least a few degrees of flexibility when differences in relative atmospheric pressure caused by human breathing exert flexing pressure on said flap, thereby moving the flap away from the notch **147** during exhalation and allowing exhaled air to pass out of the mouthpiece through the notch **186**.

Referring to FIG. **6**, the subject side section **120** of the delivery member may be formed by a sidewall **128** that is generally cylindrical in shape with an oval cross section. The exemplary embodiment has two side points **122**, opposite each other on the sidewall, and two lip points **123**, opposite each other on the sidewall. Each lip point is equidistant between the two side points. There is a contact end **126** where the sidewall is joined to the connecting ring and a lip end **127** opposite the contact end. The upper opening of the sidewall **121** at the lip end is oval. There is a lower opening of the sidewall at the contact end, through which the tip of the duck-bill valve passes.

Ridges **125** may be provided for placement of the subject's lips, or to aid in the placement of an adaptor mask on the outside of the delivery member. Shaped correctly, a ridge **125** may be used to seal and mount such a mask with a tight pressure fit. These ridges are placed approximately halfway down the upper section, and are wedge shaped in the exemplary embodiment. Specifically, they are formed by the upper and lower thickness measurements being equal at the side points and the lower thickness being greater than the upper thickness at the lip points.

Referring to FIGS. **4** and **6**, the connecting ring **130** between the adaptor side and subject side sections of the delivery member has an interior opening **135**, which may be equal in size to and substantially continuous with the opening

5

of the sidewall of the subject side section. It has an exterior limit **131** that is greater than the interior opening, and a surface **132** where the connecting ring is joined to the subject side section. The surface **132** extends from the sidewall **128** outwards toward the exterior limit **131** where it joins with an exterior wall **133**.

The exterior wall **133** may be substantially parallel to the sidewall **128** and extends from the top surface in a direction away from the lip end of the subject side section. The exterior wall has an interior surface and an exterior surface, the interior surface being closer to the interior opening of the connecting ring. In the exemplary embodiment, there are two contact openings **134** in the top surface, which are disposed approximately equidistantly around the circumference of the top surface. Each contact hole is adapted to accept a portion of the adaptor member, to help hold the two members of the mouthpiece securely together. On the interior surface of the exterior wall, there may be provided two engaging members **136**, or catches, each being below a contact hole. They are wedge shaped and oriented with the thin end of the wedge towards the adaptor side for ease in connecting and resistance to disconnecting. In the exemplary embodiment, each has a width less than that of the corresponding contact opening above the catch, a length less than that of the distance between the top and bottom of the exterior wall of the connecting ring, and a height less than the length.

Referring back to FIGS. **3** and **4**, the width **143** of each section that makes up the wall **142** is approximately as wide as a contact opening in the top surface of the connecting ring. Each wall section is disposed along the interior opening substantially adjacent to a contact opening, thus providing a limit to the flexing of the walls of the adaptor member, which is discussed below. In the exemplary embodiment, each wall section has two positioning pins **141** placed along the end face of the wall, extending in the same direction. They are placed near the edge of the wall sections, and can be placed as far apart from each other as the width of a contact opening in the surface of the connecting ring. Due to their height, the sections of the wall **142** extend into the space of the adaptor member when the apparatus is assembled. Protrusions **146** may be disposed on the perimeter of the opening forming the passage for exhalation air flow (notches **147**). These protrusions act as stop elements for the exhaust flap portions of the one-piece valve, limiting their travel in an inward direction. As will be seen in more detail below, when the subject inhales, these exhaust flaps are pressed by suction against the stop elements and form a seal so that the pressure of inhalation is fully directed towards drawing the medicament laden air from the holding chamber.

Referring to FIG. **7**, the adaptor member **170** may be generally frustoconical in shape, thereby providing for the smooth change in diameter from the holding chamber to the delivery member. In the exemplary embodiment, it is both frustoconical and transparent. A transparent embodiment of the present invention has the additional advantage of allowing the subject to visually verify the presence of the medicament during delivery to the patient. The adaptor member may have a base end **171**, a conical midsection **172**, four wall sections, and a delivery side end **173**. The base end is adapted to cooperate with the edge of the holding chamber, for example forming an exterior wall extending from the end of the cone. The base end of the adaptor member also may have an inner wall **174** extending from the end of the cone. In the exemplary embodiment, each of these two walls having a height of at least 0.5 mm to define a groove for accepting the edge of the holding chamber. In this case, the walls are shaped and positioned such that, when the chamber is positioned between the

6

inner and outer walls and a thin layer of adhesive is applied between the walls, a substantially airtight seal may be formed between the holder and the chamber. Other systems for joining the adaptor member and holding chamber may be used, including permanent bonding or releasable connections. The releasable connection may not be needed when the delivery member is made of two readily-separated components that allow for easy cleaning and for replacement of the valve when necessary, as in the illustrated embodiment.

Referring to FIGS. **7** and **8**, the wall arising from the frustoconical midsection **172** of the adaptor member **170** may be divided into four sections, including two catch walls **176** and two vent walls **177** in the exemplary embodiment. These may be placed alternately around the delivery side end of the adaptor member. Each catch wall **176** may have a catch opening **178** sized to admit one of the catches **136** of the connecting ring **130** of the delivery member **110**. A catch wall **176** is positioned on the adaptor member such that its opening **178** is adapted to fit a catch **136** when the two adaptor and delivery members are joined. The end **179** of the catch wall **176** may fit a contact opening **134** of the connecting ring **130** of the delivery member **110**. The catch walls **176** may be flexible, so that they may be bent by the subject applying pressure at the positioning points **175** to release the catch **136** from the opening **178**. This allows the two members of the exemplary housing **101** to be joined and separated in a quick-release fashion. Each valve wall **177** in the exemplary embodiment is U shaped. That is, it is a wall on the long side of the oval opening with a notch **186** in it. Other systems for connecting the adaptor member and delivery member can be used. In addition, the catch and opening could be reversed, i.e. the opening provided on the connecting ring and the catch provided on wall section of the adaptor member.

The delivery side end of the conical adaptor member may have an opening **185** of substantially the same size as the opening **155**. An airtight seal may be formed between the opposing surfaces of the adaptor member and the delivery member by the valve. That is, the valve base **151** may have opposing surfaces arranged to meet those of the adaptor member and the delivery member and form an airtight seal when the apparatus is assembled. The exemplary embodiment's adaptor member **170** has a rim **180** around the opening **185** with four positioning openings **181** in the rim, one for each pin **141**. Thus, when the two members are joined, the four pins of the delivery member drop into these openings in the exemplary embodiment.

Referring to back FIGS. **1**, **2** and **7**, the cylindrical holding chamber **200** may be defined by a length of cylindrical tube that extends between the mouthpiece **100** and a source of aerosol medicament and includes the receptacle **300** accepting an outlet from a source of aerosol medicament such as a metered dose inhaler or the like. The tube wall **201** may be sized to fit between the inner wall **174** and the outer wall **171** of the base of the mouthpiece. In the exemplary embodiment, the holding chamber is made of a lightweight metal or alloy, such as aluminum or an alloy thereof.

The use of such material reduces the risk of resistance to medicament flow by static attraction between the particles of medicament and the holding chamber wall. Alternatively, the surface of a holding chamber of any material may be treated with an anti-electrostatic coating or process to achieve this advantage. In the exemplary embodiment using a metal tube, the tube is anodized which provides the advantage of sealing the micro-porosity of such a tube's surface and stabilizing it against oxidation.

Referring to FIGS. **9a** and **9b**, the receptacle **300** may include a base with a lip **310**, an opening **350** for accepting a

source of aerosol medicament in the base with a collar **370** extending into the chamber **200**, an air vent **320**, and a supporting wall **340** that surrounds the opening arising from the base into the chamber. The exemplary embodiment has four vents. The receptacle base is sized to fit within the tube of the holding chamber. It may be formed of a resilient and flexible material such that it may be removed from the chamber tube (e.g., for cleaning) and replaced many times without loss of functionality, such as maintenance of structural integrity or the ability of the receptacle to form a substantially airtight seal with the tube, throughout the life of the apparatus. In the exemplary embodiment, the receptacle may be removed and replaced hundreds of times without ripping, tearing or otherwise harming the functionality of the apparatus. This removal resilience also applies to the removal and replacement of the source of aerosol medicament from the apparatus. The lip **310** of the receptacle fits around the perimeter of the base of the member so that the lip extends beyond the edge of the tube. The lip may be sized such that it forms a substantially airtight seal with the tube. Other systems can be used to join the receptacle to the tube if desired.

The opening **350** of the receptacle of the exemplary embodiment may be sized to accept several different types of aerosol medicament sources such as MDIs. The collar **370** is sufficiently long and flexible to form a seal with an aerosol medicament source when one is admitted into the receptacle. The supporting wall **340** of the exemplary embodiment is provided with cyclone baffles **330** placed upon the outside of the wall (relative to the opening) and support ribs **360** radially placed upon the inside of the wall. The support ribs **360** extend from the wall towards the collar **370**. They are sized so that there is space for the collar to be pressed up against the ribs when a typical MDI is inserted into the opening. Thus, an airtight seal may be formed around the source of the aerosol medicament. The support ribs of the exemplary embodiment provide support to the source of aerosol medicament by holding that source against the structure of the collar.

The vents **320** allow outside air to be drawn into the holding chamber during inhalation. This helps to push the aerosol medicament to the subject during inhalation. Each cyclone baffle **330** extends towards the base and is aligned with a vent **320** so that the point where the baffle reaches the base is just beyond the vent. The baffle thus covers the vent. The baffle may have a width sufficient to form a seal between the supporting wall and the tube wall of the chamber. By using the baffle to direct airflow coming through the vents, a rotational flow is imparted to the air entering the chamber through the vents. In the exemplary embodiment, the placement of the cyclone baffles above the vents and next to the wall of the holding chamber wall directs outside air to and along the wall of the holding chamber. This reduces the tendency for medicament to adhere to the wall of the holding chamber. Although each of the four vents have been provided with a cyclone baffle in the present embodiment, this may not be necessary in all cases.

The exemplary embodiment of the present invention is steam autoclavable either assembled or disassembled. This advantage arises from both the choice of materials used, as herein discussed, and the materials and methods of assembling the components of the invention, such as the quick release mechanism **182** and the use of high-temperature adhesive at the junction of adaptor member **170** and holding chamber **200**. Further, the present invention is easily disassembled for cleaning and parts replacement by a non-technical person.

While a detailed description of the present invention has been provided above, the invention is not limited thereto. Modifications that do not depart from the scope and spirit of the invention will be apparent to those skilled in the art. The invention is defined by the claims that follow.

What is claimed is:

1. An apparatus for aerosol medication delivery, comprising:
  - a holding chamber having a first and second ends, the first end being adapted to accept a source of aerosol medication; and
  - a mouthpiece member provided at the second end of the holding chamber, for delivering aerosol medicament to a subject, the mouthpiece member comprising:
    - a housing defining a passage through which aerosol medicament can be supplied to a subject and comprising a sidewall in which an opening is formed that opens to the outside of the housing; and
    - a one-piece valve member comprising a first valve element in fluid communication with the mouthpiece and the holding chamber, the first valve element within the passage to permit delivery of aerosol to a subject during inhalation and blocks the passage during exhalation and a second valve element in fluid communication with the mouthpiece and the opening in the sidewall, the second valve element to prevent air from reaching the subject through the opening in the sidewall of the housing during inhalation and permits the flow of air to the outside of the housing from the passage during exhalation,
      - wherein the first valve element extends axially away from the housing when the apparatus is in a rest position.
2. The apparatus of claim 1, wherein the housing defining the passage comprises a delivery member and an adaptor member,
  - the adaptor member is provided at the second end of the holding chamber, and
  - the delivery member is releasably connected to the adaptor member.
3. The apparatus of claim 2, wherein the opening in the sidewall of the mouthpiece member is provided in the adaptor member.
4. The apparatus of claim 2, wherein the opening in the sidewall of the mouthpiece member is provided in the delivery member.
5. The apparatus of claim 2, wherein the opening in the sidewall is defined by a notch defined in an edge of the adaptor member and a notch defined in an edge of the delivery member.
6. The apparatus of claim 2, wherein the delivery member is releasably connected to the adaptor member by a quick-release mechanism.
7. The apparatus of claim 6, wherein the quick-release mechanism comprises a flexible wall disposed on one of the adaptor member or the delivery member, the flexible wall comprising an engaging member that releasably engages the other of the adaptor member or the delivery member.
8. The apparatus of claim 7, wherein the flexible wall comprises a positioning element adapted for a human digit, placed to define a location for flexing the wall to release the engaging member.
9. The apparatus of claim 1, wherein the mouthpiece is sized and shaped to fit a human mouth.
10. The apparatus of claim 1, wherein the delivery member is provided with a ridge.

11. The apparatus of claim 10, wherein the ridge is adapted for attaching a mask.

12. The apparatus of claim 1, wherein the housing has a stop element that limits the range of motion of the second valve element in the direction of the passage.

13. The apparatus of claim 12, wherein the stop element is disposed on the delivery member.

14. The apparatus of claim 1, wherein the first valve element is a duck-bill valve.

15. The apparatus of claim 1, wherein the member is composed of a flexible material.

16. The apparatus of claim 1, wherein the second valve element is a hinged flap that seats adjacent the opening in the sidewall.

17. The apparatus of claim 2, wherein the first valve element and the second valve element are joined together at a valve base.

18. The apparatus of claim 17, wherein the valve base forms a substantially airtight seal between the delivery member and the adaptor member.

19. The apparatus of claim 2, wherein the adaptor member and the delivery member define first and second opposed surfaces and the valve member is held between the first and second opposed surfaces.

20. The apparatus of claim 19, wherein one of the delivery member and the adaptor member comprises a plurality of pins that extend from one of the first and second opposed surfaces and the other of the delivery member and the adaptor member comprises openings for accepting the pins.

21. The apparatus of claim 20, wherein the valve member is provided with openings through which the pins extend.

22. The apparatus of claim 5, wherein the notch of the delivery member and the notch of the adaptor member are aligned radially when the mouthpiece is assembled.

23. The apparatus of claim 22, wherein the second valve element is disposed between the notches.

24. The apparatus of claim 2, wherein one of the delivery member or the adaptor member comprises a pair of radially spaced walls and the other of the delivery member or the adaptor member comprises a wall that extends into the space between the spaced walls.

25. The apparatus of claim 1, wherein the mouthpiece member has a first end adapted to the second end of the holding chamber and a second end for delivery of the aerosol medicament, which has an oval shape in lateral cross section.

26. The apparatus of claim 1, wherein the housing of the mouthpiece member has inner and outer walls disposed at and in contact with the holding chamber such that the second end of the holding chamber extends into a space between the inner and outer walls.

27. The apparatus of claim 1, wherein the mouthpiece member is connected to the holding chamber by an adhesive.

28. The apparatus of claim 1, wherein the mouthpiece is formed of a transparent material.

29. The apparatus of claim 1, wherein the housing is formed from a transparent material.

30. The apparatus of claim 2, wherein the adaptor member is substantially frustoconical in shape.

31. The apparatus of claim 2, wherein the adaptor member is formed from a transparent material.

32. The apparatus of claim 2, wherein the delivery member is formed from a transparent material.

33. The apparatus of claim 1, wherein the holding chamber is cylindrical.

34. The apparatus of claim 33, wherein the holding chamber is formed of metal.

35. The apparatus of claim 1, wherein the holding chamber is treated with an anti-electrostatic coating.

36. The apparatus of claim 1, further comprising a receptacle member at the first end of the holding chamber, having an opening adapted to receive an outlet of an aerosol generating device.

37. The apparatus of claim 36, wherein the opening in the receptacle member is capable of accepting outlets of different aerosol generating devices.

38. A mouthpiece member for aerosol medicament delivery, having first and second ends, the first end being adapted to accept a source of aerosol medicament and the second end being adapted for delivering aerosol medicament to a subject, the mouthpiece member comprising:

a housing defining a passage through which aerosol medicament can be supplied to a subject and comprising a sidewall in which an opening is formed; and

a one-piece valve member comprising a first valve element that permits delivery of aerosol to a subject during inhalation and blocks the passage during exhalation and a second valve element that blocks the opening in the sidewall of the housing during inhalation and permits the flow of air to the outside of the housing from the passage during exhalation, wherein the first valve element extends axially away from the housing in a rest position.

39. The mouthpiece of claim 38, wherein the housing comprises a substantially frustoconical section.

40. An apparatus for aerosol medication delivery, comprising:

a mouthpiece member for delivering aerosol medicament to a subject,

a holding chamber having first and second ends, the mouthpiece member being disposed at the second end of the chamber and

a receptacle member being disposed at the first end of the chamber, the receptacle member comprising:

an opening adapted to accept a source of aerosol medicament,

a vent permitting fluid communication for the entry of outside air into the holding chamber, and

a means for imparting a rotational flow to the outside air entering the holding chamber,

wherein at least a portion of the means for imparting rotation flow is spaced from the vent and at least partially obscuring the vent when the receptacle member is viewed from above.

41. The apparatus of claim 40, wherein the opening of the receptacle creates an airtight seal around the source of aerosol medicament.

42. The apparatus of claim 40, wherein the receptacle member is formed of a flexible material such that the receptacle member may be removed from and replaced on the holding chamber without loss of functionality.

43. The apparatus of claim 40, wherein the receptacle member has a plurality of vents, disposed equidistantly around the receptacle member.

44. The apparatus of claim 40, wherein the receptacle member directs outside air to the wall of the interior of the holding chamber, thus creating a flow of such air along the wall of the holding chamber and reducing particulate deposit from the aerosol medicament within the holding chamber.

45. The apparatus of claim 40, wherein the means to impart rotational flow comprises at least one baffle disposed on the receptacle member to direct air entering the holding chamber through a vent into a rotational flow within the chamber.

**11**

**46.** The apparatus of claim **42**, wherein the receptacle member has a lip around the perimeter of the receptacle member, which enclosed the first end of the holding chamber.

**47.** The apparatus of claim **40**, wherein the receptacle member comprises support ribs for supporting the source of aerosol medicament. 5

**48.** The apparatus of claim **47**, wherein the opening of the receptacle member is defined by a collar that extends inward and may be pushed up against the support ribs for retaining the source of aerosol medicament.

**12**

**49.** The apparatus of claim **48**, wherein the support ribs are oriented radially when viewed in lateral cross section.

**50.** The apparatus of claim **45**, wherein the baffle is a cyclone baffle.

**51.** The apparatus of claim **1**, wherein the second valve element extends in a substantially axial direction when the apparatus is not in use.

\* \* \* \* \*